

# UNIVERSAL SPEAKER

## BS-1030B/BS-1030W

### 2-Way Compact Speaker System



## DESCRIPTION

Developed under a "Universal" main concept, TOA's BS-1030 Speaker is tastefully designed to harmonize with building interiors and offers easy versatility for a wide range of installations. Intended for indoor and semi-indoor use (locations not directly exposed to rain and heavy weather, such as under outdoor eaves), the BS-1030 is a perfect choice for use in boutiques or pubs, where the "fashion" element is essential, and restaurants, hotels or religious facilities which require that furnishings blend in well with their surroundings.

The BS-1030's compact 2-way, bass-reflex enclosure features a 12cm dynamic cone speaker for low and midrange sound output, and a 2.5cm balanced dome tweeter for high frequency sound. Its double multiport construction helps the dynamic speaker provide remarkably true-to-life low-frequency output for its small size, while its balanced dome tweeter realizes clear high-frequency sound reproduction with excellent transient response.

Featuring high 30W (rated input) power handling capability for its small size, the BS-1030's sensitivity is maintained at 90dB (1m/1W) with a frequency response of 80Hz to 20kHz for ample volume and sound quality which are appropriate not only for speeches and announcements, but also for most background and foreground music applications. The speaker's rear panel-mounted rotary switch facilitates selection of impedance (HIGH/LOW), line voltage (70V/100V), and power input (5W, 10W, 15W, 20W, 30W), permitting fine adjustment to match intended use and type of event.

The BS-1030's compact design permits it to be mounted directly to the wall, either vertically or horizontally, without the need of extra mounting hardware, or its supplied U-shaped bracket can be attached to provide freely adjustable mounting angles when mounted to walls or ceilings.

Moreover, TOA's wide range of optional brackets (including the SP-410 or WCB-12 Wall/ Ceiling Mounting Bracket, SP-420 in-Wall/Ceiling Mounting Bracket, TMB-1 Table Mounting Bracket, and ST-16 Speaker Stand) provide over 20 different mounting possibilities to choose from.

## FEATURES

### ● Smoothly Curved Front Panel

The speaker's smoothly curved exterior design blends in well with virtually all modern buildings, and its compact configuration does not distract from its surroundings.

### ● Many Mounting Variations

The BS-1030 can either be mounted directly to walls or to both walls and ceilings using the supplied bracket or a wide range of optional brackets.

### ● Simple Impedance Switching

The built-in transformer is designed for both high impedance (70V/100V line) and low impedance (8Ω) applications, which can be easily selected with the panel-mounted rotary switch.

### ● 12cm Dynamic Cone Speaker and 2.5cm Balanced Dome Tweeter

Compact 2-way enclosure faithfully provides powerful sound reproduction for both background and foreground music applications, and features clear voice reproduction for speech.

### ● Weather-Resistant Construction (IP-X3)

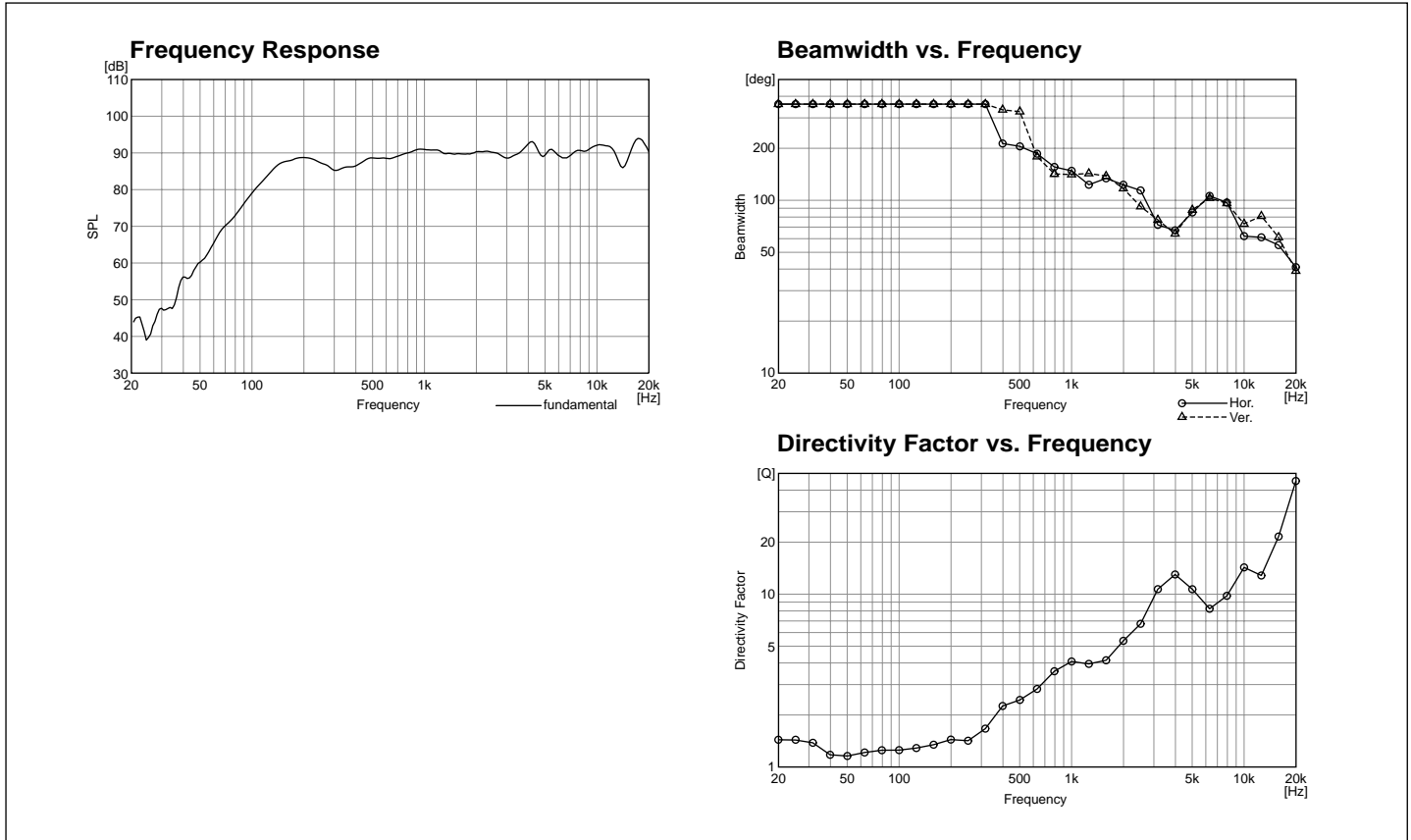
The BS-1030's weather-resistant construction permits it to be permanently installed outdoors in locations shielded from direct exposure to the elements, such as under eaves. It can also withstand temporary exposure to rain and inclement weather for short periods of time.

### ● Two Different Color Variations

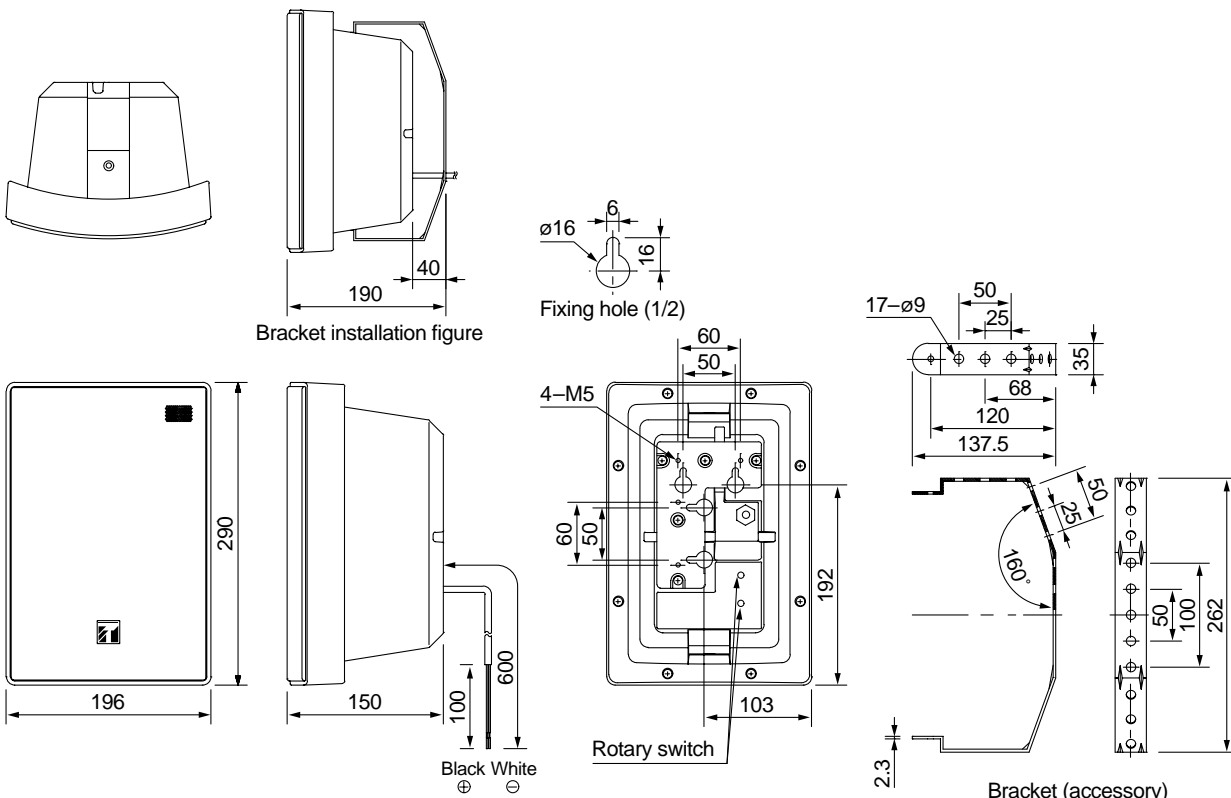
Black or white enclosure colors can be selected to match facility interiors.



# BS-1030B/BS-1030W



## APPEARANCE AND DIMENTIONAL DIAGRAM

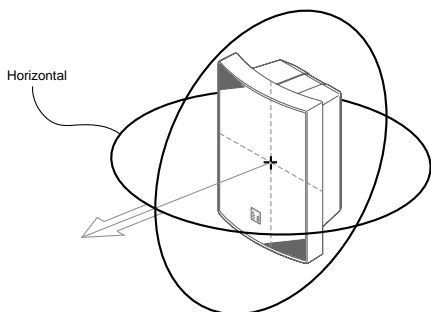
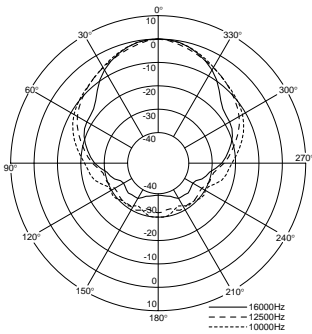
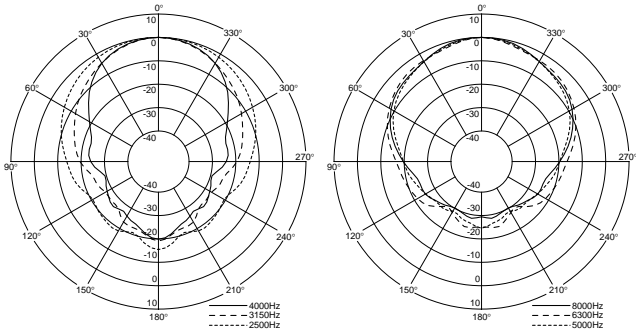
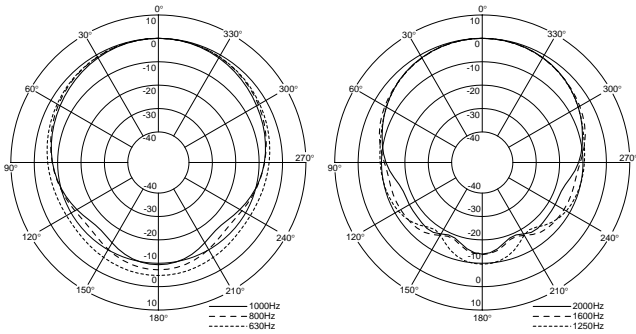
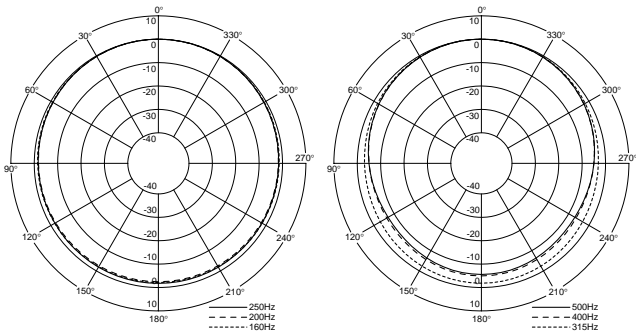


Unit: mm

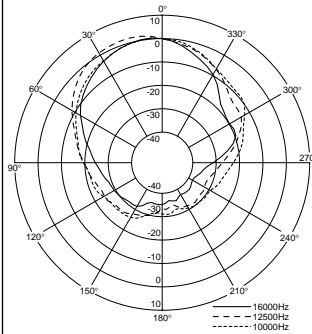
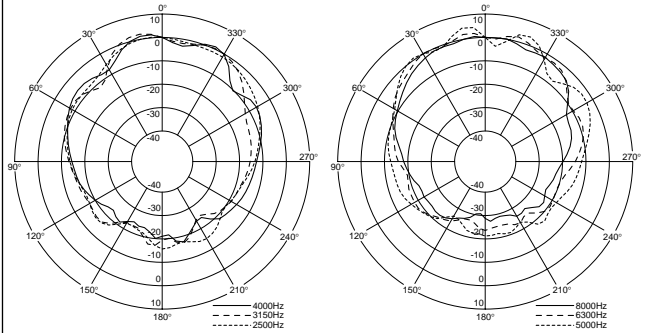
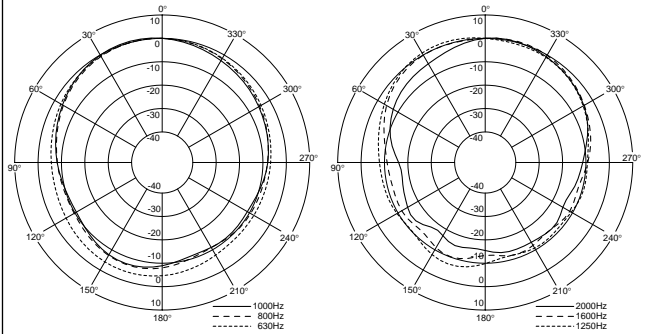
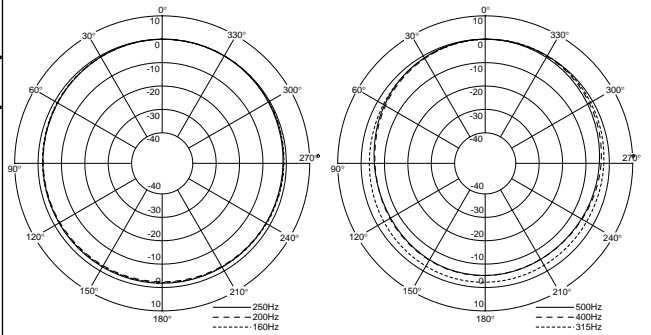
# CHARACTERISTIC DIAGRAMS

## Polar Response

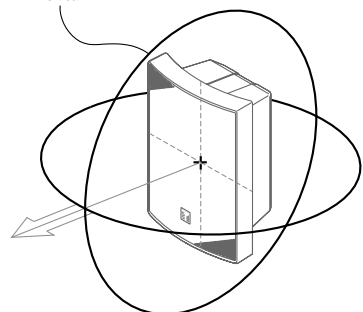
horizontal



vertical



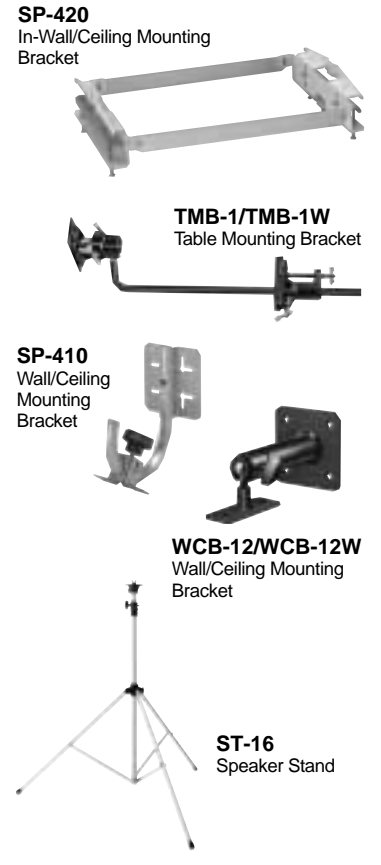
Vertical



## SPECIFICATIONS

BS-1030B/BS-1030W	
Enclosure	2-way bass reflex type
Rated Input	30W
Impedance	8Ω 100V line: 330Ω (30W), 500Ω (20W), 670Ω (15W), 1kΩ (10W), 2kΩ (5W) 70V line: 170Ω (30W), 250Ω (20W), 330Ω (15W), 500Ω (10W), 1kΩ (5W)
Sensitivity	90dB (1W/1m, in anechoic chamber)
Frequency Response	80 – 20,000Hz
Speaker Components	12 cm dynamic cone-type speaker 2.5 cm balanced dome tweeter
Speaker Cable	2-core cabtyre cable (diameter 6mm)
Operating Temperature	-10°C to +50°C
Water Resistance	IP-X3 (installed vertically or horizontally)
Material/Finish	<b>BS-1030B</b> Enclosure: ABS resin, black, paint Grille: surface treated steel plate, black, powder coating Bracket: surface treated steel plate, black, powder coating <b>BS-1030W</b> Enclosure: ABS resin, white, paint Grille: surface treated steel plate, white, powder coating Bracket: surface treated steel plate, white, powder coating
Dimensions	196 (W) x 290 (H) x 150 (D) mm (without bracket)
Weight	2.5kg (without bracket)
Accessories	Bracket x 1, Bracket mounting screw x 2, Bracket mounting washer x 2
Options	Bracket: <b>BS-1030B</b> : WCB-12, TMB-1, SP-410 <b>BS-1030W</b> : WCB-12W, TMB-1W, SP-410, SP-420 Stand: ST-16

## OPTIONS



## INSTALLATION EXAMPLES

